

PAGING HORN SPEAKER



HS-20

HS-20RT

FEATURES

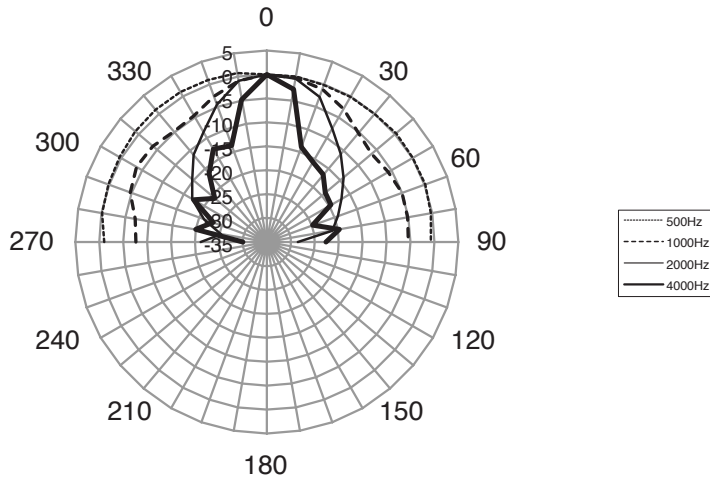
- Excellent intelligibility & Loudness, High directivity, Good reliability.
- Adjust direction : Vertical 240°, Horizontal 160°.
- Units are commonly installed in commercial buildings, distribution centers, factories, schools, public areas, civic centers and recreational facilities.

SPECIFICATIONS

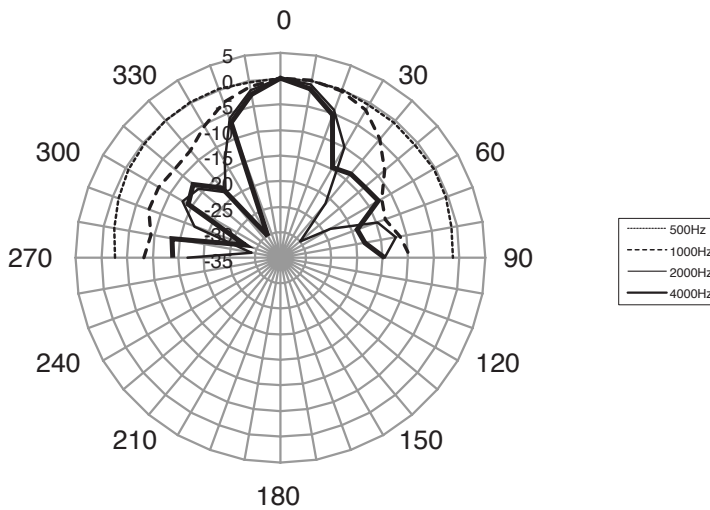
	HS-20	HS-20RT
Rated Input	20W	20W
Impedance	500Ω(W) 1000Ω(G)	500Ω(W) 1000Ω(G)
Frequency Response	380Hz-6.5kHz	350Hz-6kHz
SPL(1m/1W)	106dB	104dB
Weight	2.45kg	2.3kg
Demension(mm)	∅250 ×280	250 ×197.5 ×310

POLAR PATTERN DIAGRAM

HS-20



HS-20RT



interM

OFFICE : 653-5 BANGHAK-DONG, DOBONG-KU, SEOUL, KOREA TEL : 82-2-2289-8140~8, FAX : 82-2-2289-8149

Home page : <http://www.inter-m.com>

E-mail : export@inter-m.com

9027700500

PAGING HORN SPEAKER



HS-30

HS-30RT

FEATURES

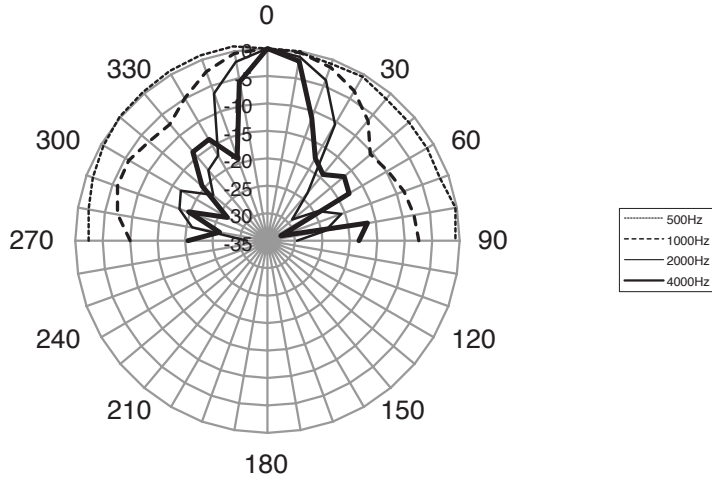
- Excellent intelligibility & Loudness, High directivity, Good reliability.
- Adjust direction : Vertical 240°, Horizontal 160°.
- Units are commonly installed in commercial buildings, distribution centers, factories, schools, public areas, civic centers and recreational facilities.

SPECIFICATIONS

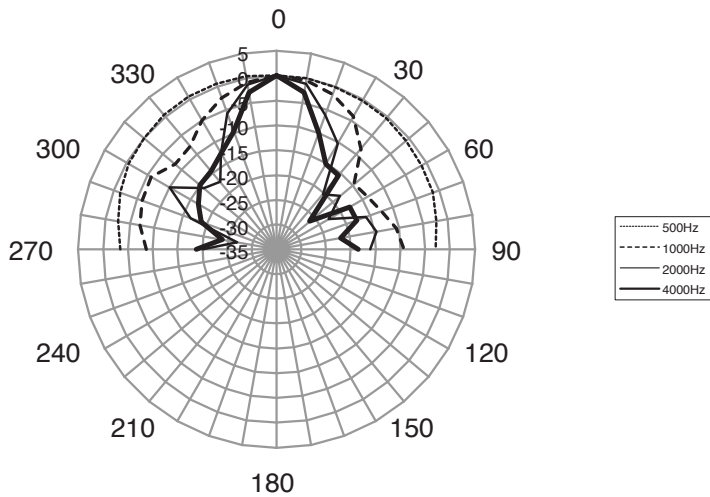
	HS-30	HS-30RT
Rated Input	30W	30W
Impedance	330Ω(W) 660Ω(G)	330Ω(W) 660Ω(G)
Frequency Response	380Hz-6.5kHz	380Hz-6.5kHz
SPL(1m/1W)	107dB	107dB
Weight	2.85kg	2.95kg
Demension(mm)	∅280 ×350	320 ×210 ×365

POLAR PATTERN DIAGRAM

HS-30



HS-30RT



interM

OFFICE : 653-5 BANGHAK-DONG, DOBONG-KU, SEOUL, KOREA TEL : 82-2-2289-8140~8, FAX : 82-2-2289-8149

Home page : <http://www.inter-m.com>

E-mail : export@inter-m.com

9027700510

PAGING HORN SPEAKER



FEATURES

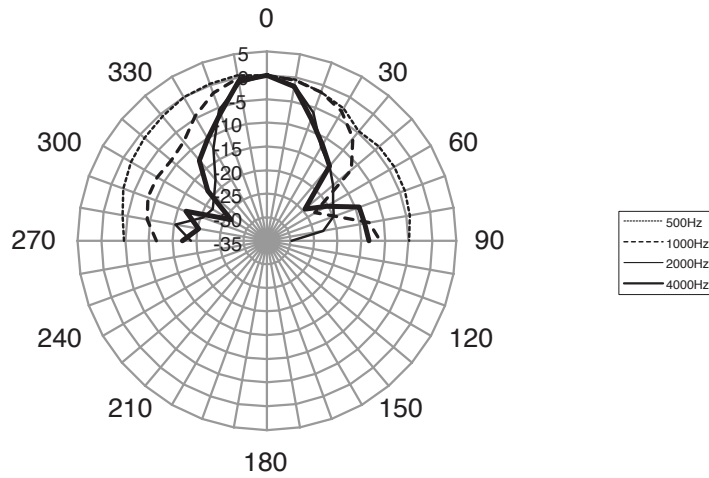
- Excellent intelligibility & Loudness, High directivity, Good reliability.
- Adjust direction : Vertical 240°, Horizontal 160°.
- Units are commonly installed in commercial buildings, distribution centers, factories, schools, public areas, civic centers and recreational facilities.

SPECIFICATIONS

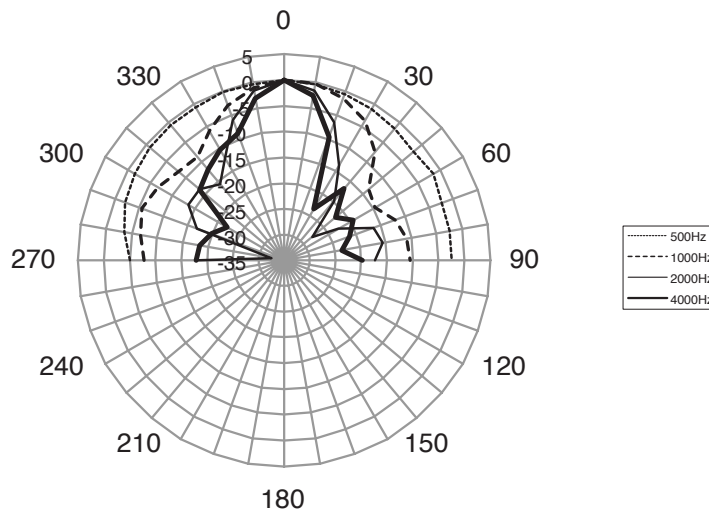
	HS-50	HS-40RT
Rated Input	50W	40W
Impedance	200Ω(W) 400Ω(G)	250Ω(W) 500Ω(G)
Frequency Response	380Hz-6.5kHz	380Hz-6.5kHz
SPL(1m/1W)	109dB	109dB
Weight	3.1kg	2.95kg
Demension(mm)	∅320 ×350	320 ×210 ×365

POLAR PATTERN DIAGRAM

HS-50



HS-40RT



interM

OFFICE : 653-5 BANGHAK-DONG, DOBONG-KU, SEOUL, KOREA TEL : 82-2-2289-8140~8, FAX : 82-2-2289-8149

Home page : <http://www.inter-m.com>

E-mail : export@inter-m.com

9027700520